



New Product



MSD 330C8



MSD 350S17



MSD 440R20

MSD 330C8

- A brand new concept of Beam lamp; with CRI 85, MSD 330C8 shows the best colors on stage
- Perfect for concert, theater and TV studio
- Long and stable lifetime
- High luminance due to very short arc and high internal pressure

Lamp	MSD 330C8	MSD 350S17	MSD 440R20
Type	MSD 330C8	MSD 350S17	MSD 440R20
Lamp Wattage (W)	330	350	440
Arc Gap (mm)	1.2	1.0	1.3
Lamp Dimensions (mm)	58 x 58 x 66	58 x 58 x 66	58 x 58 x 72
Lumen Output (Lm)	14,000	18,000	21,000
Colour Temperature (K)	7,600	7,400	7,400
Burning Position	any	any	any
CRI (Ra)	85	85	80
Average Lamp Life (h)	1,500	1,500	1,500
Lamp Voltage (V)	85	75	85
WD (mm)	37.4	31.42	41

Compatibility list

MSD 330C8

- Chauvet Rogue RH1 Hybrid
- Chauvet Legend 330SR Spot
- And others*

MSD 350S17

- Check online*

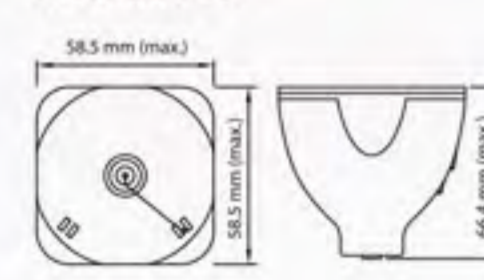
MSD 440R20

- DTS CORE
- GTD-440 II BSW
- Martin MAC Axiom Hybrid
- Chauvet Maverick MK1 Hybrid
- PR-Lighting PR XR 440 BWS
- Prolights Razor 440
- And others*

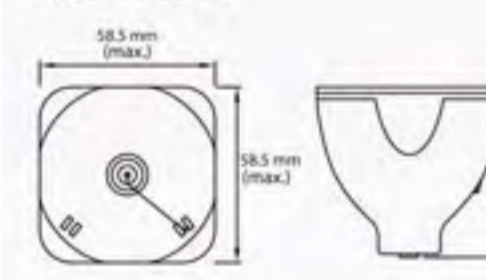
*Find updated compatibility list online at yodn.allembra.com

Dimensions

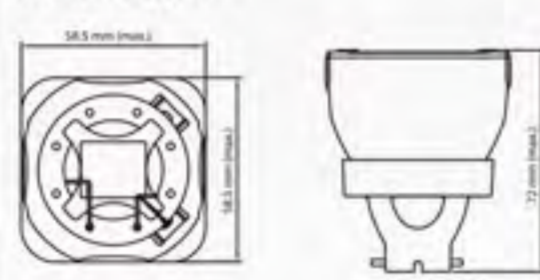
MSD 330C8



MSD 350S17

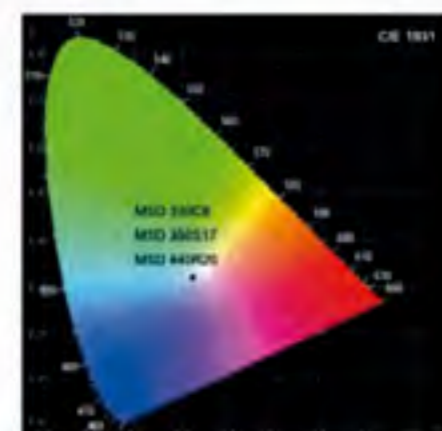
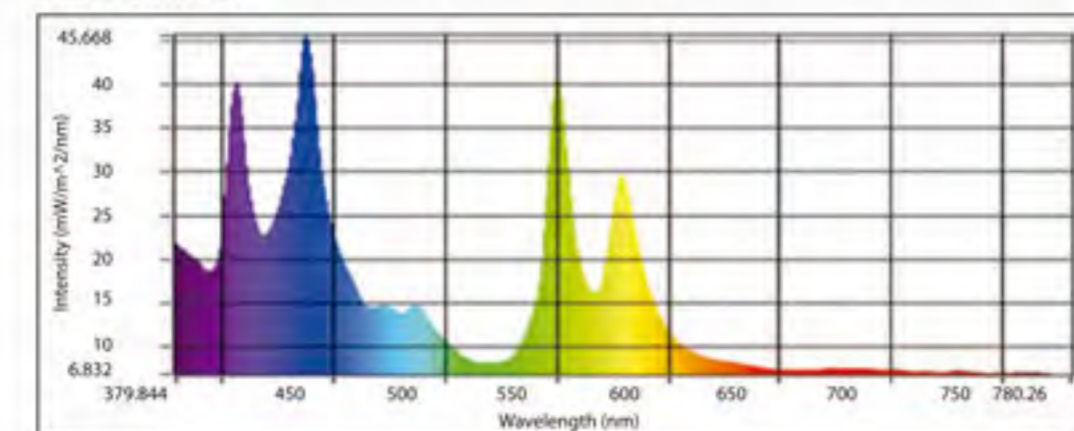


MSD 440R20



Photometric Characteristic

MSD 330C8



About YODN

YODN is one of the leading brands to produce R Series Beam Lamps. R Series Beam Lamps have the most optimized and accurate light beam among the existing stage lamps. The sparkling, strong light beams can eliminate shadows and perform brilliant colors; making R Series the ideal stage light for concerts, TV studios, and night clubs.

R Series Beam Lamps

Features

- The latest stage light technology
- Strong and clear beam
- Ultra short arc gap
- Stable colour temperature performance

Benefits

- Specially designed for small and lightweight moving heads
- Perfect optical system with maximum light output
- Long and reliable lifetime, slow brightness decay
- Optimized burner design allows any burning position

Quality and Technology

- Solid HID technology, successful proven record in the global lighting market
- Every lamp goes through multiple Quality and Performance tests before packed for sales
- Each lamp has a unique code number to control lamp quality
- Using first class lamp materials from Germany and Japan
- CE tested and supervised



We provide 3 Months Warranty*

* see warranty terms available online

YODN Anti-forgery design



Exclusive YODN logo on the lamp ceramic cap

Exclusive YODN logo design on the reflector

YODN®

www.yodnlighting.com

YODN Lighting Corp.

6F., No.1, Creation Rd. II, Hsinchu Science Park, Hsinchu City 300, Taiwan
Tel: +886-3-563-7218 Fax: +886-3-579-4581

Available from: Allembra GmbH
www.yodn.allembra.com sales@allembra.com



YODN WeChat



YODN FACEBOOK

Shine like a star - Shine with YODN



YODN
Entertainment
Lighting



R Series



MSD 132R2, MSD 150R3



R Series



MSD 200S5, MSD 230S7 & MSD 280R10



R Series



MSD 300R15, MSD 330S16 & MSD 350R17

Benefits

- Long and reliable lifetime (6,000 hours)
- High light intensity
- Perfectly suited for small and lightweight moving heads
- Perfect optical system with maximum light output

Features

- YODN brilliant technology
- 1.0 mm arc gap
- Compact design
- Elliptical reflector lamp
- High correlated color temperature

Lamp

Type	MSD 132R2	MSD 150R3
Lamp Wattage (W)	132	150
Arc Gap (mm)	1.0	1.0
Lamp Dimensions (mm)	46 x 46 x 56	46 x 46 x 56
Lumen Output (Lm)	5,000	5,950
Colour Temperature (K)	9,200	8,600
Burning Position	any	any
CRI (Ra)	60	68
Average Lamp Life (h)	6,000	4,500
Lamp Voltage (V)	70	73
WD (mm)	37.7	37.7

Compatibility list

MSD 132R2

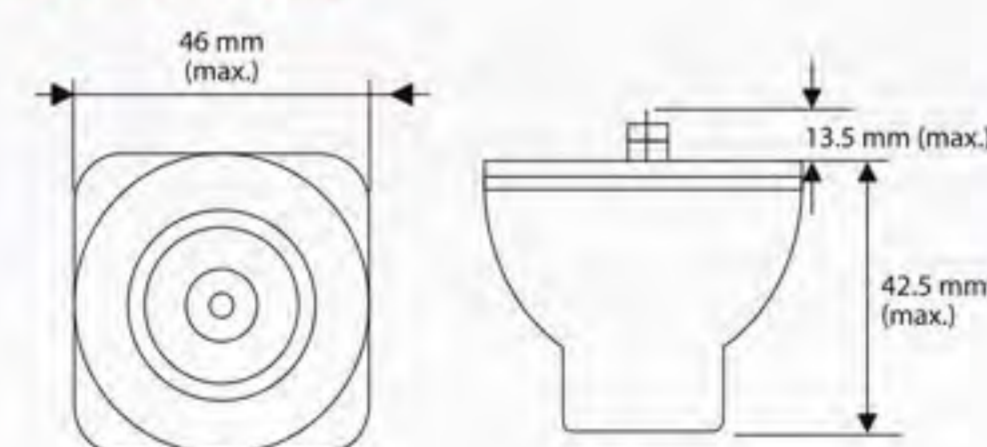
- Martin Rush MH4 Beam
- Martin Rush Wizard
- Elation Sniper
- Elation Rayzor Beam 2R
- ADJ 3 Sixty 2R
- ADJ Vizi Beam Hybrid 2R
- ADJ Vizi Roller Beam 2R
- ADJ Warlock
- Chauvet Rogue
- Prolights Ruby
- Prolights Mini Ruby
- Prolights Prime
- Showtec Infinity iB.2R
- Futurelight PLB-130 Moving - Head
- Future Light PLB-130 i Beam Moving-Head
- Briteq BTX-Beam 2R
- Contest Evora-RL2R
- Contest Evora-DUOB2R
- Starway Mode B
- Starway Mode L
- Elumi8 Beam 2R
- Beamz Panther 2R Moving Head
- And others*

MSD 150R3

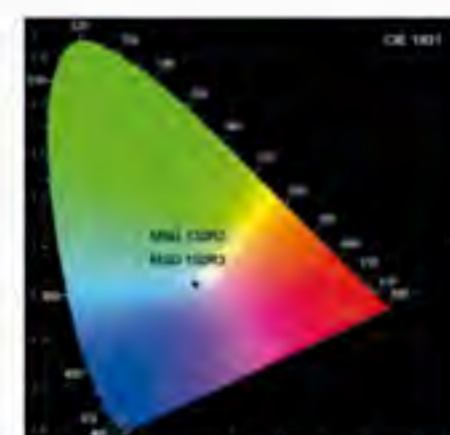
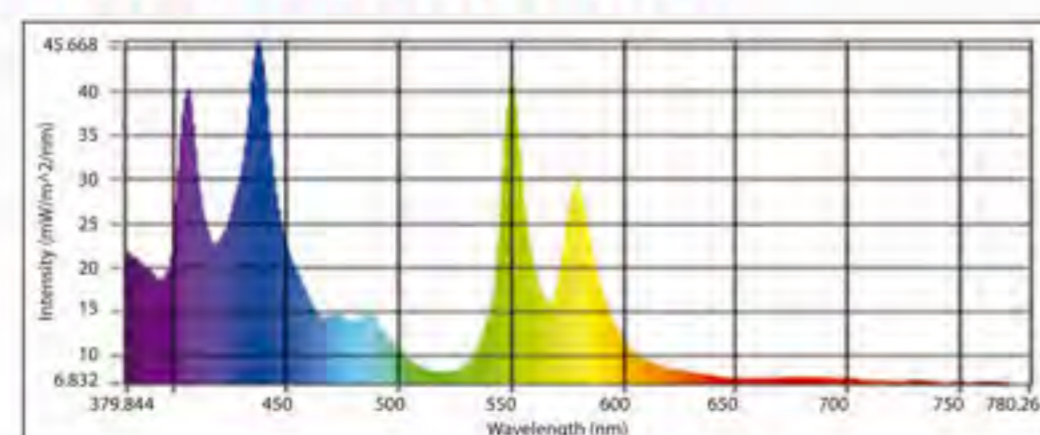
- Showtec Phantom 3R Beam
- Showtec Phantom 3R Hybrid
- And others*

*Find updated compatibility list online at yodn.allembra.com

Dimensions



Photometric Characteristic



Benefits

- Long and reliable lifetime
- High light intensity
- Perfectly suited for small and lightweight moving heads
- Perfect optical system with maximum light output

Features

- YODN brilliant technology
- Compact design
- Elliptical reflector lamp
- High correlated color temperature
- Perfectly suited for small and lightweight moving heads

Lamp

Type	MSD 200S5	MSD 230S7	MSD 280R10
Lamp Wattage (W)	200	230	280
Arc Gap (mm)	0.9	1.0	1.2
Lamp Dimensions (mm)	51 x 51 x 61	51 x 51 x 61	51 x 51 x 61
Lumen Output (Lm)	8,100	9,500	11,000
Colour Temperature (K)	8,000	7,800	7,800
Burning Position	any	any	any
CRI (Ra)	76	78	75
Average Lamp Life (h)	3,000	2,500	2,000
Lamp Voltage (V)	75	75	80
WD (mm)	34.5	34.5	34.5

Compatibility list

MSD 200S5

- Clay Paky Sharpy
- DTS Jack
- ADJ Vizi Beam SR
- ADJ Vizi Beam SRX
- ADJ Vizi Spot SR
- ADJ Vizi Spot SRX
- ADJ Ninja SRX
- Ehrgeiz Cobalt Plus SR
- Ehrgeiz Cobalt Plus Beam SR
- Acme XP-SR BEAM
- Acme XP-SR BEAM II
- Martin Rush MH 3 Beam
- Elation Platinum Beam SR Extreme
- Elation Platinum Spot SR WH
- Elation Platinum Beam SR
- Elation Platinum Beam SR PRO
- Showtec Airstrike 43158
- Eurolite TMH-XB-200 Moving Beam
- Eurolite BE-200 Barrel Effect for SR
- Briteq BTX-Beam SR
- Varytec Reactor PT R5
- Varytec Beam R5 Sient
- CSI Starway ServoBeam SR MK2
- FutureLight PLS-5R Moving-Head
- FutureLight PLB-5R Moving-Head
- Contest Evora-FLEXSR
- HQ Power Linio Beam
- Elumen8 SRE Beam
- lightmaXX Shaft SR Beam
- And others*

MSD 230S7

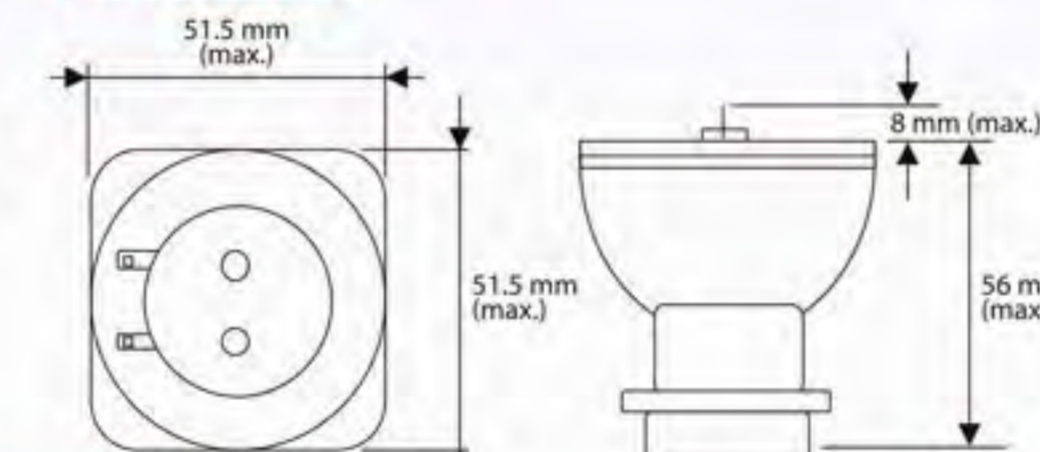
- Chauvet Rogue R2 Beam
- Chauvet Legend 230SR Beam
- Showtec Infinity iB-SR
- FutureLight PLB-230
- And others*

MSD 280R10

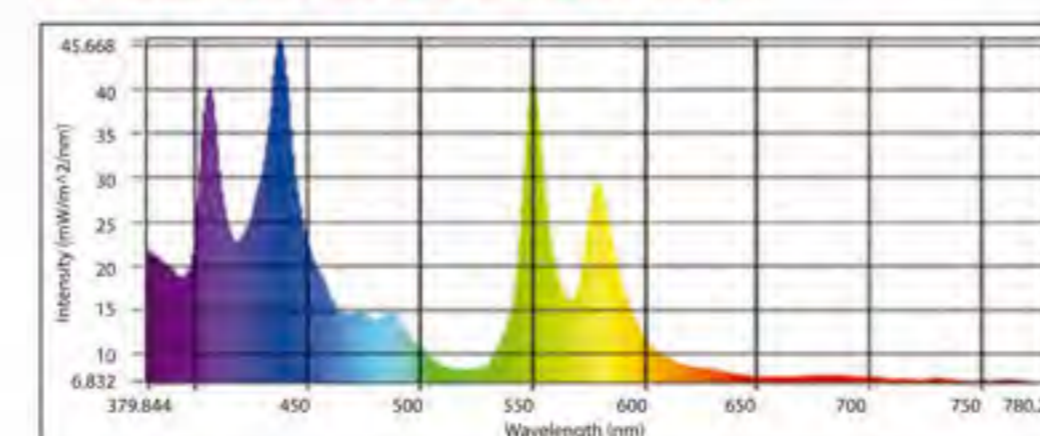
- ROBE Pointe
- And others*

*Find updated compatibility list online at yodn.allembra.com

Dimensions



Photometric Characteristic



Benefits

- Long and reliable lifetime (1,500 hours)
- High beam intensity
- Freedom to create smaller and lighter fixtures
- Perfect alignment and placing with lamp replacements in seconds Renewed optical system with maximum light output
- High perceived brightness

Features

- YODN brilliant technology
- Smaller, compact design
- Reflector lamp
- High correlated color temperature

Lamp

Type	MSD 300R15	MSD 330S16	MSD 350R17
Lamp Wattage (W)	300	330	350
Arc Gap (mm)	1.3	1.0	1.3
Lamp Dimensions (mm)	58 x 58 x 66	56 x 56 x 63	58 x 58 x 66
Lumen Output (Lm)	12,000	15,000	15,000
Colour Temperature (K)	8,000	7,400	7,800
Burning Position	any	any	any
CRI (Ra)	70	85	75
Average Lamp Life (h)	1,500	1,500	1,500
Lamp Voltage (V)	85	75	85
WD (mm)	31.42	31	31.42

Compatibility list

MSD 300R15

- Elation Platinum Spot 15R B
- Elation Platinum Beam 15R PRO
- Elation Platinum Spot 15R Pro
- Elation PRO FS 15R
- Futurelight PLS-15R Moving Head
- Futurelight PLB-15R Moving Head
- Ehrgeiz Cobalt X Beam 15R Moving Head
- Contest Evora-Beam 15R
- Contest Evora-FLEX15R
- And others*

MSD 330S16

- DTS Raptor
- Showtec Infinity iB-16R
- GTD-330 BSW
- And others*

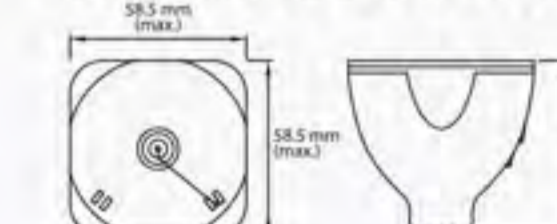
*Find updated compatibility list online at yodn.allembra.com

MSD 350R17

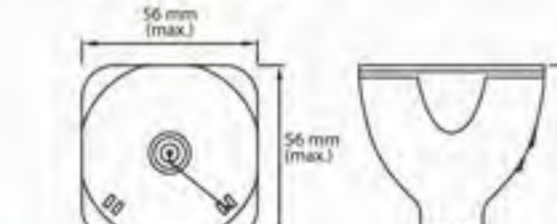
- Elation Platinum Beam 15R
- Elation Platinum Spot 15R
- Elation Platinum Wash 16R Pro
- Griven Graphite MK2 2000
- Griven Graphite MK2 2000 W
- Clay Paky Sharpy Wash 330
- Clay Paky Sharpy Wash 330 PC
- DTS Max
- DTS Max L
- ADJ Vizi Hybrid 16RX
- Acme XP-16R BSW
- Acme XP-16R SZ
- Acme XP-16R Beam
- Elumi8 16R Zoom Profile
- And others*

Dimensions

MSD 300R15 & MSD 350R17



MSD 330S16



Photometric Characteristic

